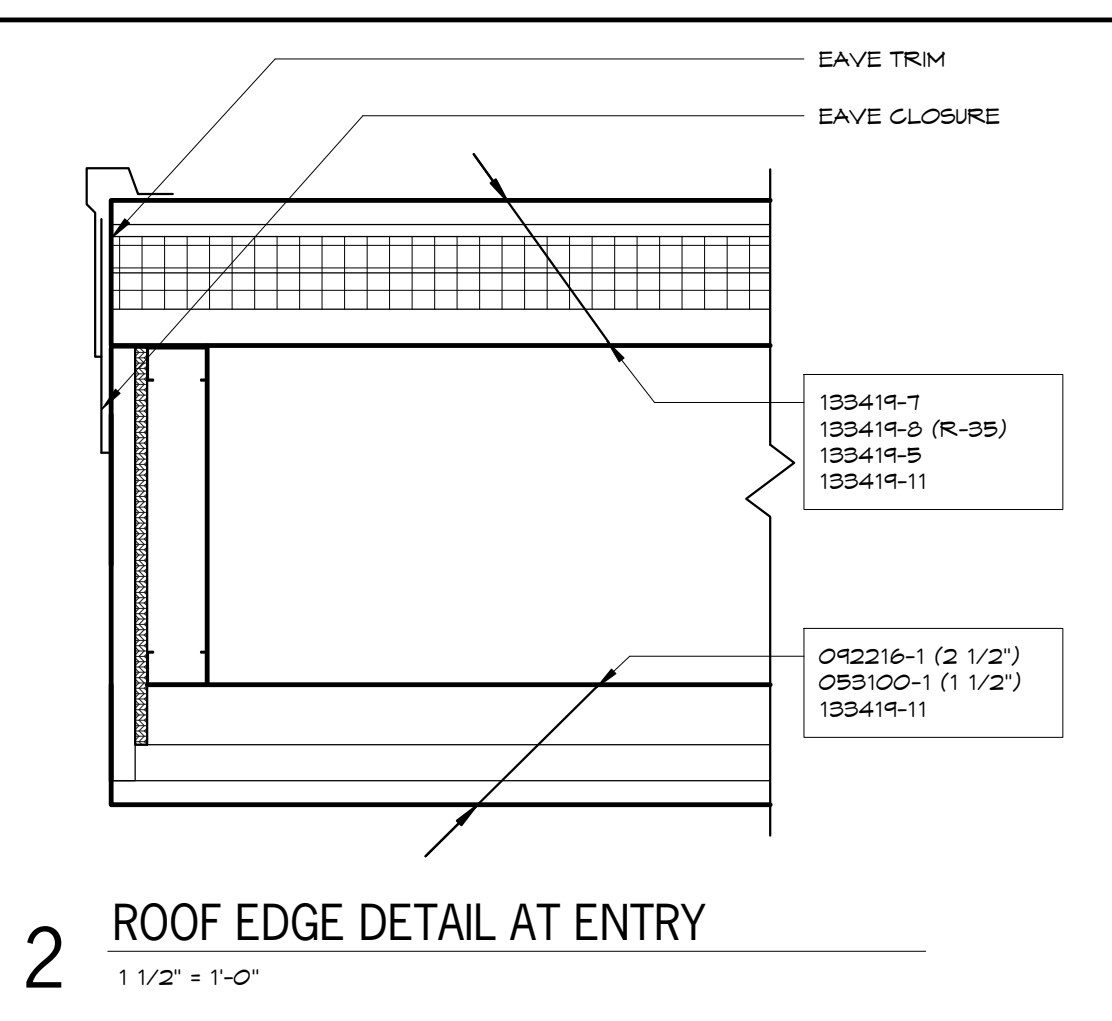
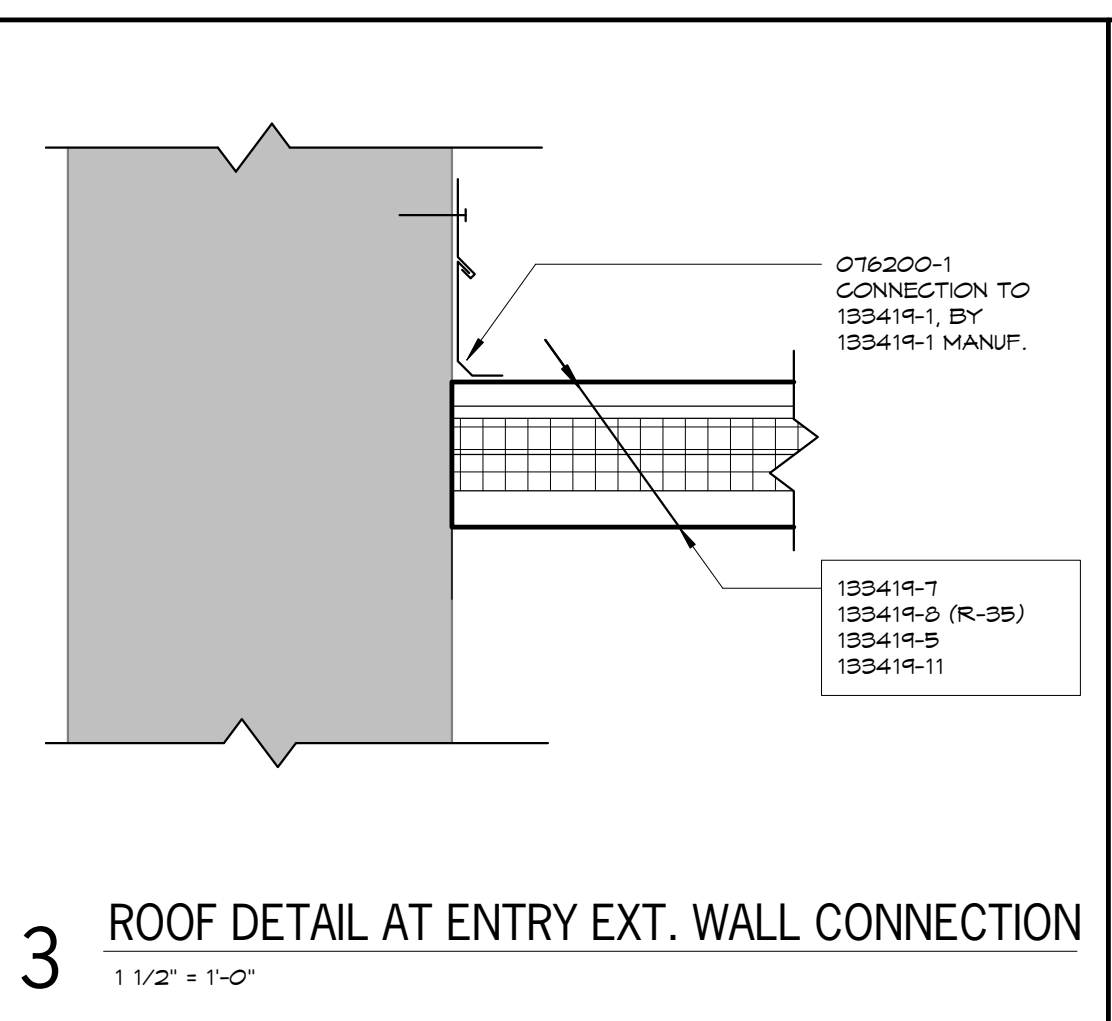


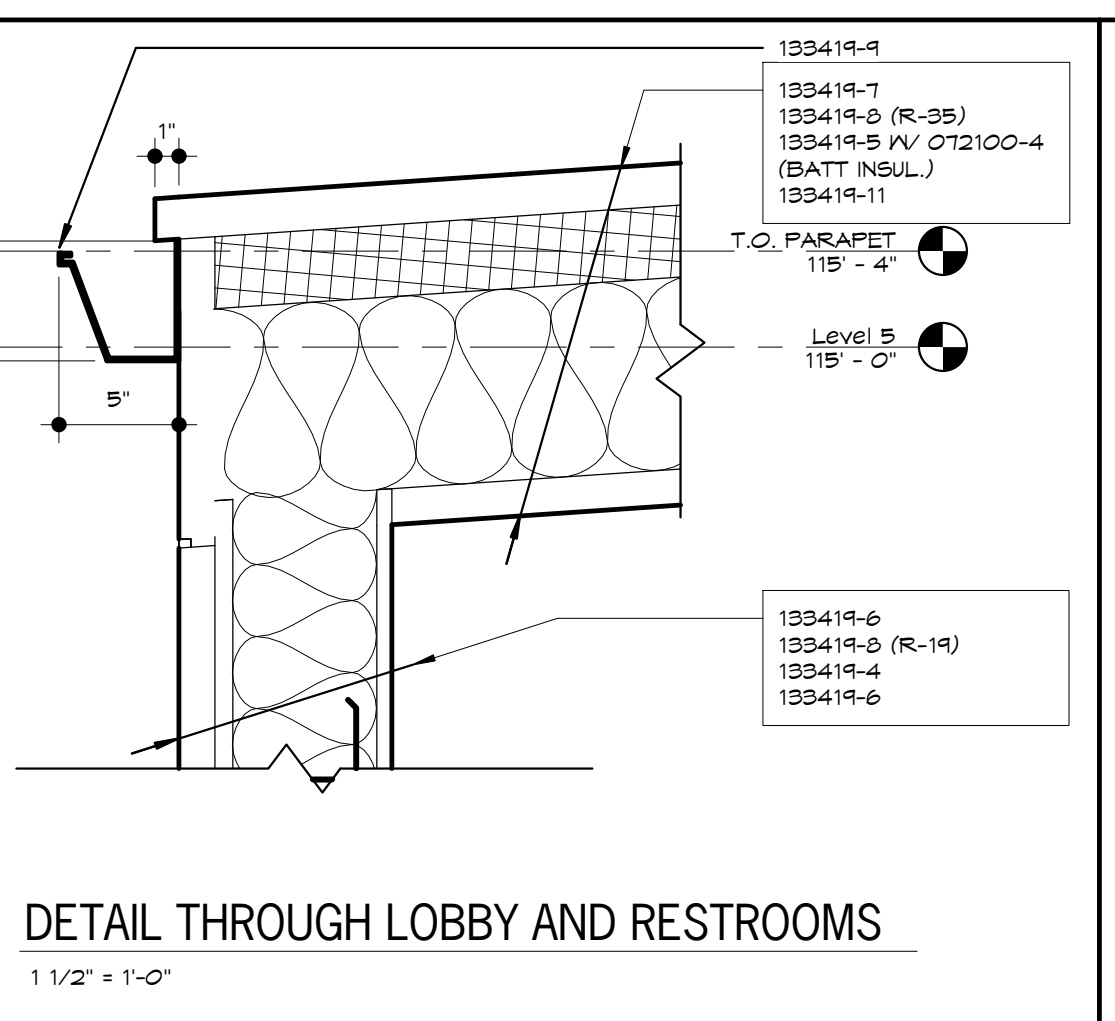
1 ROOF DETAIL AT ENTRY
1 1/2" x 1'-0"



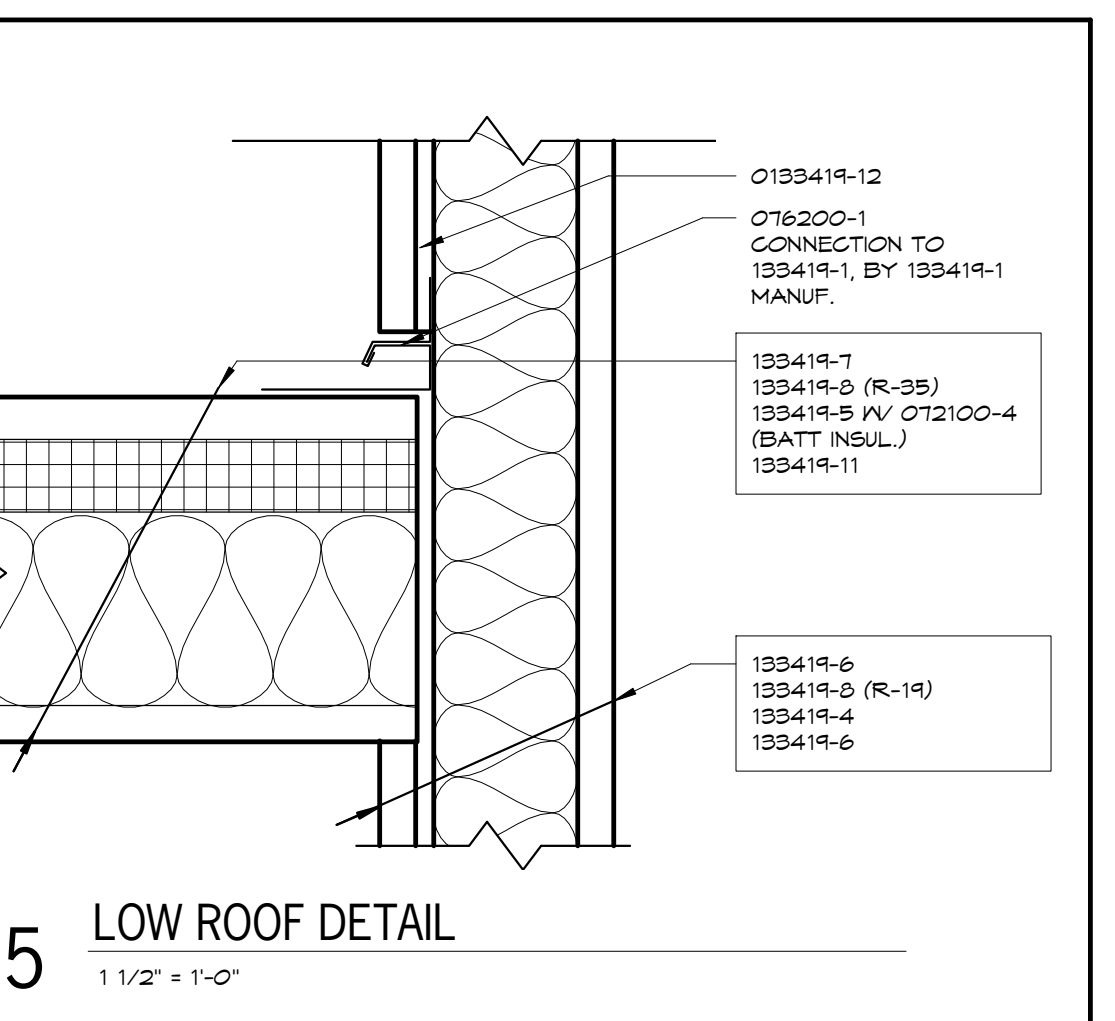
2 ROOF EDGE DETAIL AT ENTRY
1 1/2" x 1'-0"



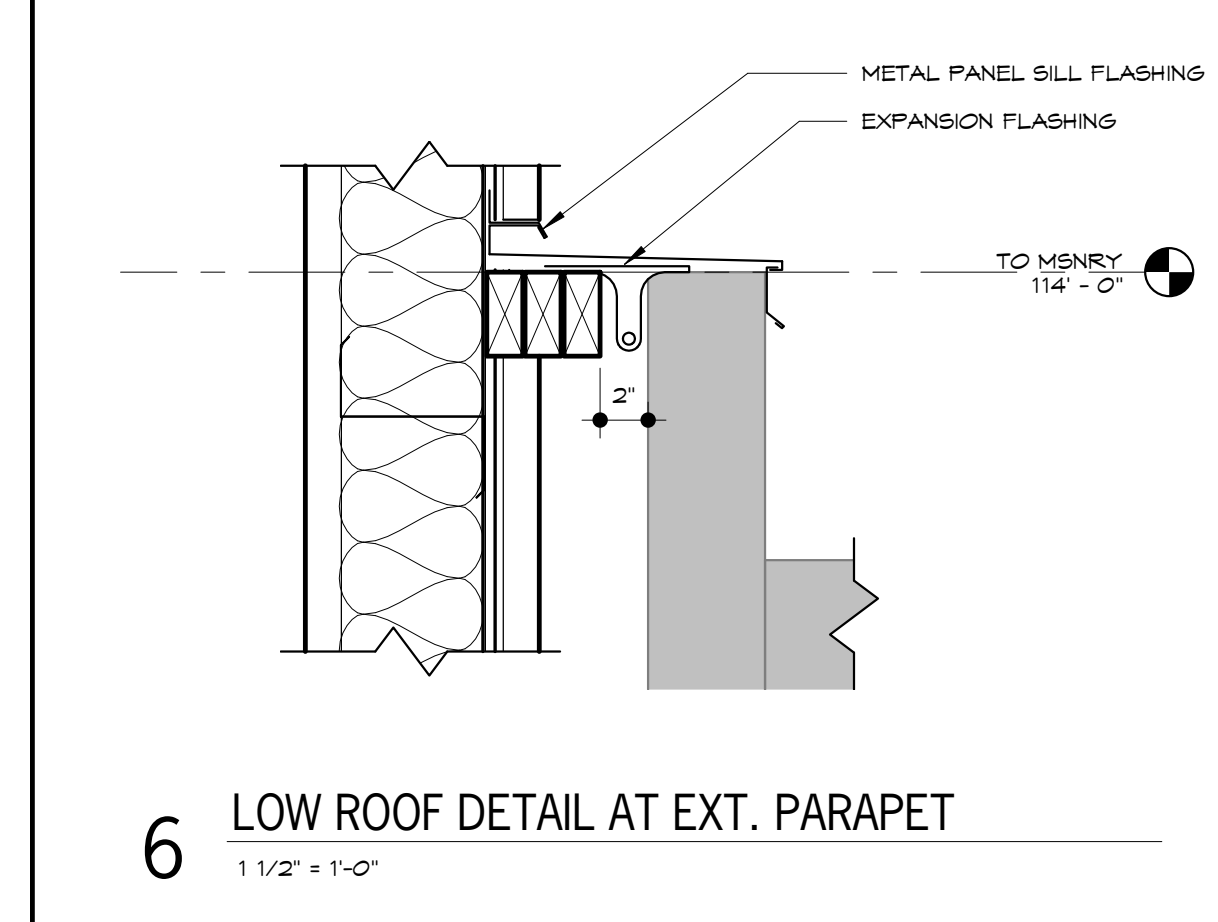
3 ROOF DETAIL AT ENTRY EXT. WALL CONNECTION
1 1/2" x 1'-0"



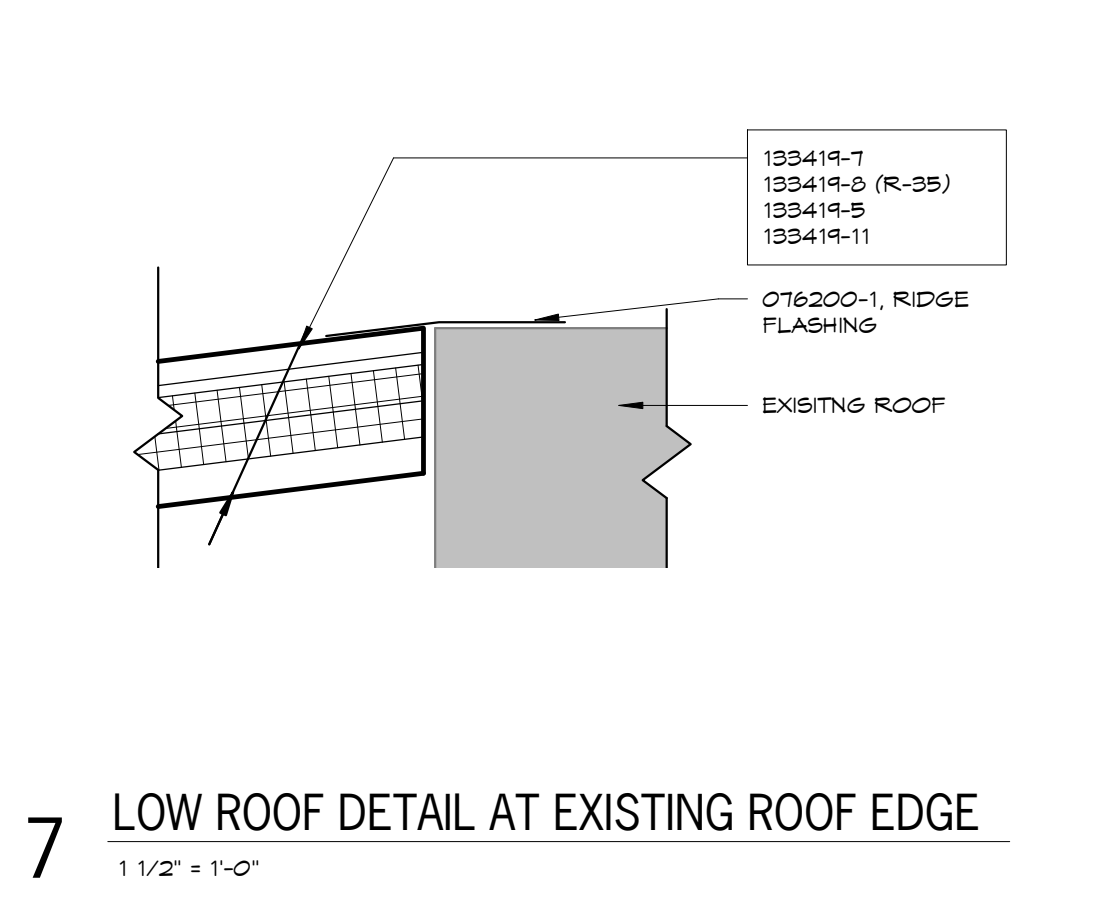
4 DETAIL THROUGH LOBBY AND RESTROOMS
1 1/2" x 1'-0"



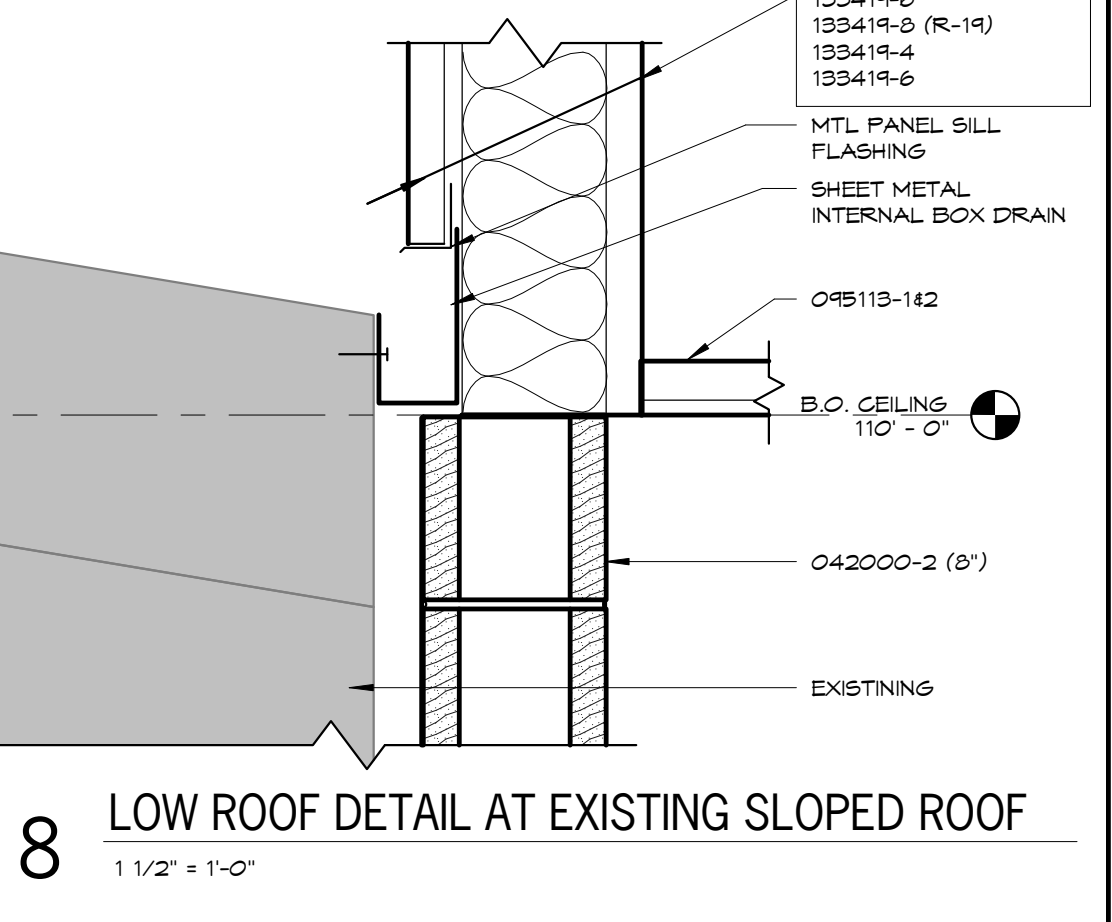
5 LOW ROOF DETAIL
1 1/2" x 1'-0"



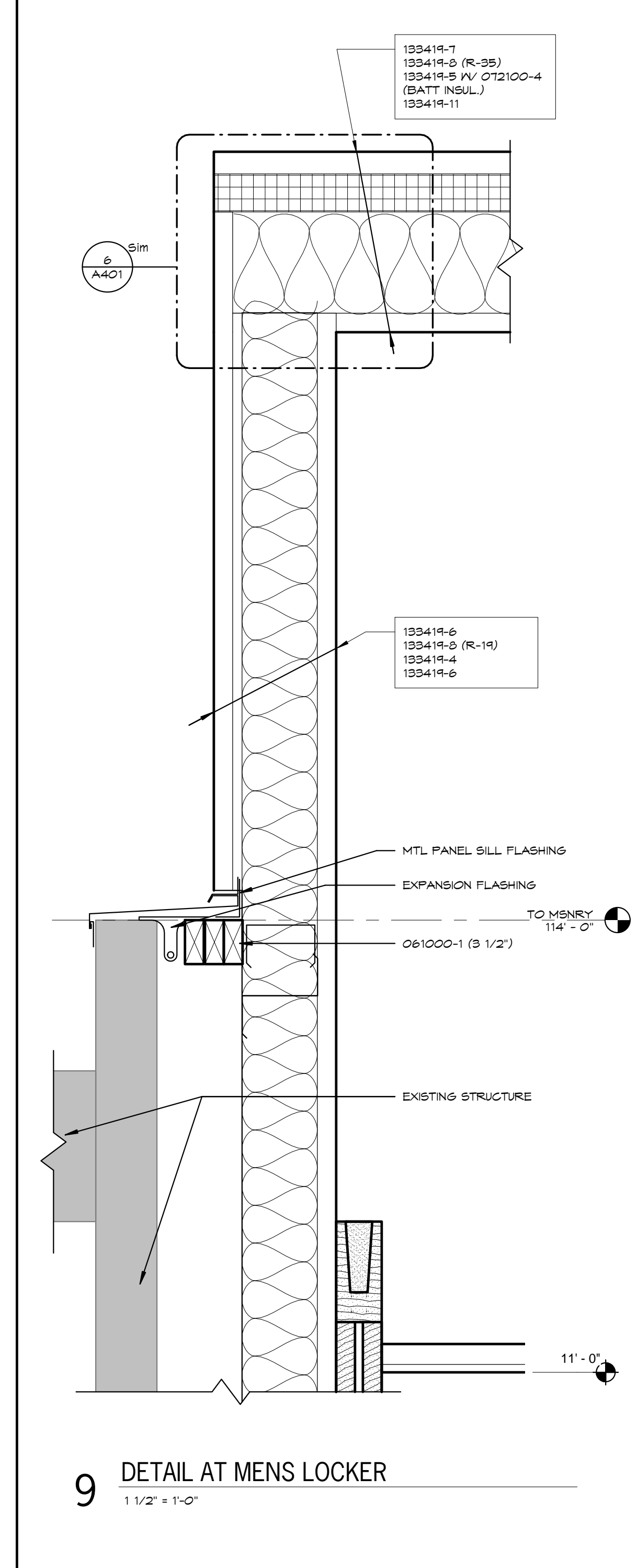
6 LOW ROOF DETAIL AT EXT. PARAPET
1 1/2" x 1'-0"



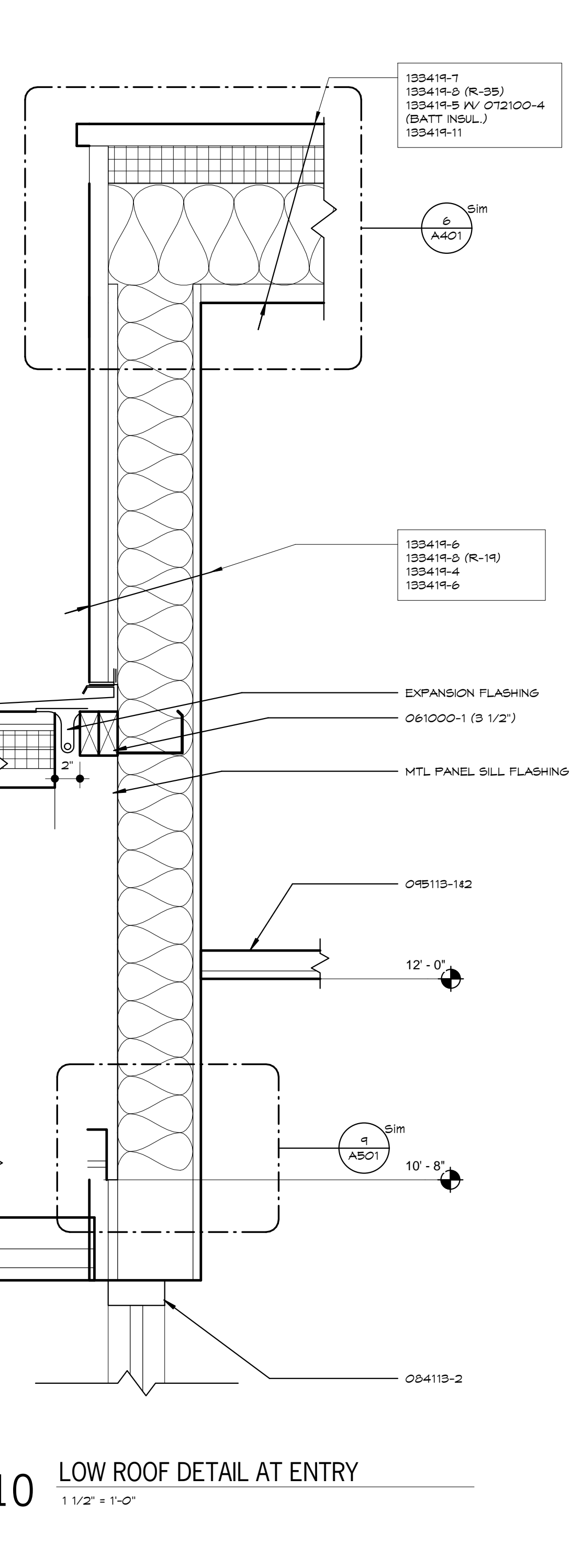
7 LOW ROOF DETAIL AT EXISTING ROOF EDGE
1 1/2" x 1'-0"



8 LOW ROOF DETAIL AT EXISTING SLOPED ROOF
1 1/2" x 1'-0"



9 DETAIL AT MENS LOCKER
1 1/2" x 1'-0"



10 LOW ROOF DETAIL AT ENTRY
1 1/2" x 1'-0"

KEYNOTES

NOTE: Keynotes are drawn from a master list & may not be sequentially numbered. Sizes (E.G. 2x4) or other info. following keynote or drawings indicates criteria for those materials/specs unless they differ from std. material specified.

020000	-1 CONCRETE STRUCTURE	021113	-1 HOLLOW METAL DOOR
	-2 HOLLOW METAL FRAME		-2 HOLLOW METAL FRAME
	-3 VAPOR BARRIER		-3 FRAME ANCHOR
	-4 LOWER		-4 LOWER
	-5 STEEL REINFORCING BAR		-5 PLASTER GUARD
	-6 INSULATION JOINT	020203	-1 OVERHEAD EXTRUDED DOOR
	-7 PATTERNOFF	024113	-1 ALUMINUM EXTRUDED DOOR
	-8 STEEL ANCHOR		-2 ALUMINUM EXTRUDED DOOR
	-9 SPOKELINK		-3 FRAME
	-10 PRECAST JOINT FILLER	020200	-1 GLAZING (AS SCHEDULED)
042000	-1 FACE BRICK	042216	-1 STEEL STUD (")
	-2 CONCRETE MASONRY UNIT-NORMAL WEIGHT (")		-2 STEEL STUD (")
	-3 CONCRETE MASONRY UNIT-LIGHTWEIGHT (")	042200	-3 FURRING CHANNEL
	-4 FIRE REINFORCING METAL TIE ANCHOR		-2 FIRE-RATED GYPSUM BOARD
	-5 THROUGH WALL FLASHING		-3 CONCRETE MASONRY UNIT-NORMAL WEIGHT (")
	-6 CONTROL JOINT STRIP		-4 METAL SUSPENSION SYSTEM
	-7 BOND BEAM (")		-5 ACoustICAL SEALANT
	-8 WEAP HOLZADIT		-6 ACoustICAL INSULATION (")
	-9 ANCHILARY SUPPORT		-7 METAL EDGE TRIM
			-8 METAL SUSPENSION SYSTEM
091200	-1 STEEL BEAM		-9 METAL CONTROL JOINT
	-2 STEEL COLUMN		-10 HIGH IMPACT GYPSUM BOARD
	-3 STEEL TUBE		-11 CONCRETE INTERIOR FINISHING COMPOSITE
	-4 STEEL JOIST	091313	-1 ACoustICAL PANEL (X") (P = FIRE RATED)
	-5 JOIST EXTENDED END JOIST - CEILING EXTENSION		-2 GEOLING SUSPENSION SYSTEM
091900	-1 METAL DECKING	042466	-4 AUXILIARY SUPPORT FRAMING
	-2 FLEXIBLE GLOUSE STRIPS		-5 ROOF ANCHOR FLASHINGS
	-3 DECKING		-2 SUMP/COOR SYSTEM PERIMETER BASE
094000	-1 STRUCTURAL STEEL STUDS	095113	-1 RESILIENT WALL BASE
	-2 STRUCTURAL STEEL JOISTS		-2 TACTILE MARKING SURFACE
	-3 STEEL ANGLE		-3 RESILIENT STAIR RISER
095000	-1 STEEL CHANNEL		-4 RESILIENT STAIR NOSE
	-2 STEEL LINTEL		-1 RESILIENT STAIR NOSE
	-3 STEEL TUBE	096123	-1 RESILIENT LOGGING
	-4 STEEL PLATE	096113	-2 RESILIENT BASE
	-5 STEEL LADDER	096133	-1 INTERIOR PAINT
	-6 STEEL SPOKELINK TRENCHDRAN	101414	-1 DIVISION LETTER SIGNAGE
095100	-1 STEEL STAIRS	102113	-1 TOILET COMPARTMENT COVER
	-2 STEEL STAIR STRINGER	103000	-1 URINAL SCREEN
	-3 STEEL DIMED PLATE		-2 SOAP DISPENSER
	-4 STEEL PIPE HANDRAIL		-3 TISSUE DISPENSER
095213	-1 STEEL PIPE GUARDRAIL BRACKET		-4 TOILET DISPENSER
	-2 STEEL TUBE HANDRAIL		-5 FRAMED MIRROR
	-3 STEEL TUBE GUARDRAIL		-6 SANITARY NAPKIN DISPENSER
	-4 STEEL TUBE HANDRAIL BRACKET		-7 SANITARY NAPKIN DISPENSER
	-5 STEEL TUBE GUARDRAIL		-8 WHITE RECEPTACLE
096000	-1 2X FLOOR WALKER (")		-9 SHOWER SEAT
	-2 2X FLOOR BLOCKING (")		-10 SHOWER CURTAIN ROD
	-3 FLYWOOD (")		-11 LOCKER HOOK
	-4 1/2" FELT		-12 TOWEL BAR
	-5 1/2" FELT		-13 SHOWER CURTAIN
	-6 CEMENTED STRAND BOARD (")		-14 DIAPER CHANGING STATION
	-7 FIBERGLASS SHEATHING		-15 ELECTRIC HAND DRYER (REF. ELEC.)
	-8 1/2" FELT	104413	-1 FIRE EXTINGUISHER CABINET
	-9 FIBERGLASS SHEATHING	105113	-1 CORRIDOR LOCKER
	-10 1/2" FELT		-2 LOCKER LOCKER
	-11 FIBERGLASS SHEATHING	114623	-1 BAKERITIAL LOCAL SCHEDBOARD
	-12 1/2" FELT		-2 VOLUNTARY STANDARD
096100	-1 SELF-ADHERING SHEET WATERPROOFING		-3 DAMPPROOFING
	-2 FOUNDATION WALL OR INSULATION (R-)		-4 FLOOR SLEEVE
	-3 CAVITY WALL INSULATION (R-)		-5 WALL SILENT PAD
	-4 BUILDING INSULATION - UNFACED (R-)		-6 MAT COVER
	-5 BUILDING INSULATION - FACED (R-)		-7 HORIZONTAL LOWER BLINDS
	-6 SILL SEALER		-8 SOLID SURFACE WINDOW SILL
	-7 SANDING INSULATION		-9 TELESCOPE STANDS
	-8 SPRAY APPLIED CELLULOSE INSULATION		-10 PRE-ENGINEERED BUILDING
	-9 SPRAY POLYURETHANE FOAM INSULATION		
	-10 FURRING (")		
096213	-1 SHEET METAL FLASHING AND GOUNTERFLASHING		
096300	-1 PRE-FINISHED ROOF		
	-2 PRE-FINISHED ROOF		
	-3 PRE-FINISHED COPING		
	-4 SHEET METAL REGLET		
	-5 SHEET METAL GUTTER		
	-6 SHEET METAL DOWNPOUT		
096400	-1 SHEET METAL SCUPPER		
	-2 JOINT SEALANT - RANCE		
	-3 WHERE REQUIRED		
	-4 JOINT FILLER	312000	-1 EARTH MOVING
	-5 GABLET		-2 INTERIOR FILL
096500	-1 EXPANSION CONTROL		-3 GRANULAR DRAINAGE
			-4 DRAINAGE BACKFILL
			-5 SUBBASE COURSE
			-6 DRAINAGE GROTTO/TILE
		321313	-1 SEPARATION GROTTO/TILE
		321313	-1 CONCRETE PAVING
		324200	-1 CONCRETE PAVING JOINT SEALANTS
			-2 TURF GRASS



DATE: **SEPTEMBER 2, 2014**

REVISED DATE:

ROCK PORT R2 - HIGH SCHOOL GYMNASIUM ADDITION

SHEET CONTENTS:
• ROOF DETAILS

HTK PROJECT NUMBER:
• 1307.04-002

SHEET NUMBER:
A402
CONTRACT DOCUMENTS

NOTE: REFER TO STRUCTURAL DRAWINGS FOR REINFORCING STEEL IN EXTERIOR WALLS AND CONCRETE NOT SHOWN

NOTE: REFER TO ALL DETAILS (DETAILS LOCATED ON THIS SHEET, PRECEDING SHEETS AND FOLLOWING SHEETS) FOR APPLICABLE NOTES NOT SHOWN

NOTE: REFER TO ALL SECTIONS (SECTIONS LOCATED ON THIS SHEET, PRECEDING SHEETS AND FOLLOWING SHEETS) FOR APPLICABLE NOTES NOT SHOWN