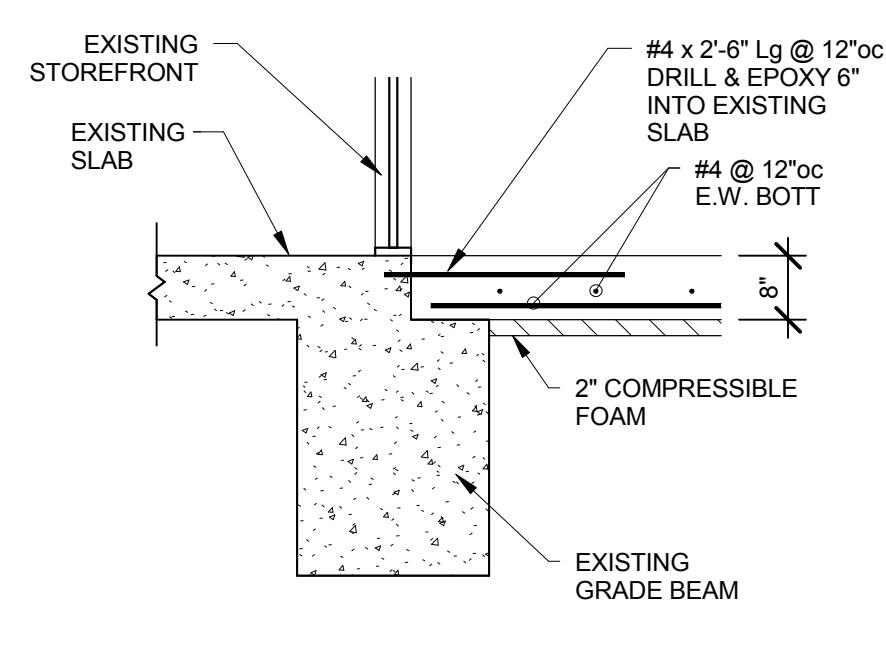
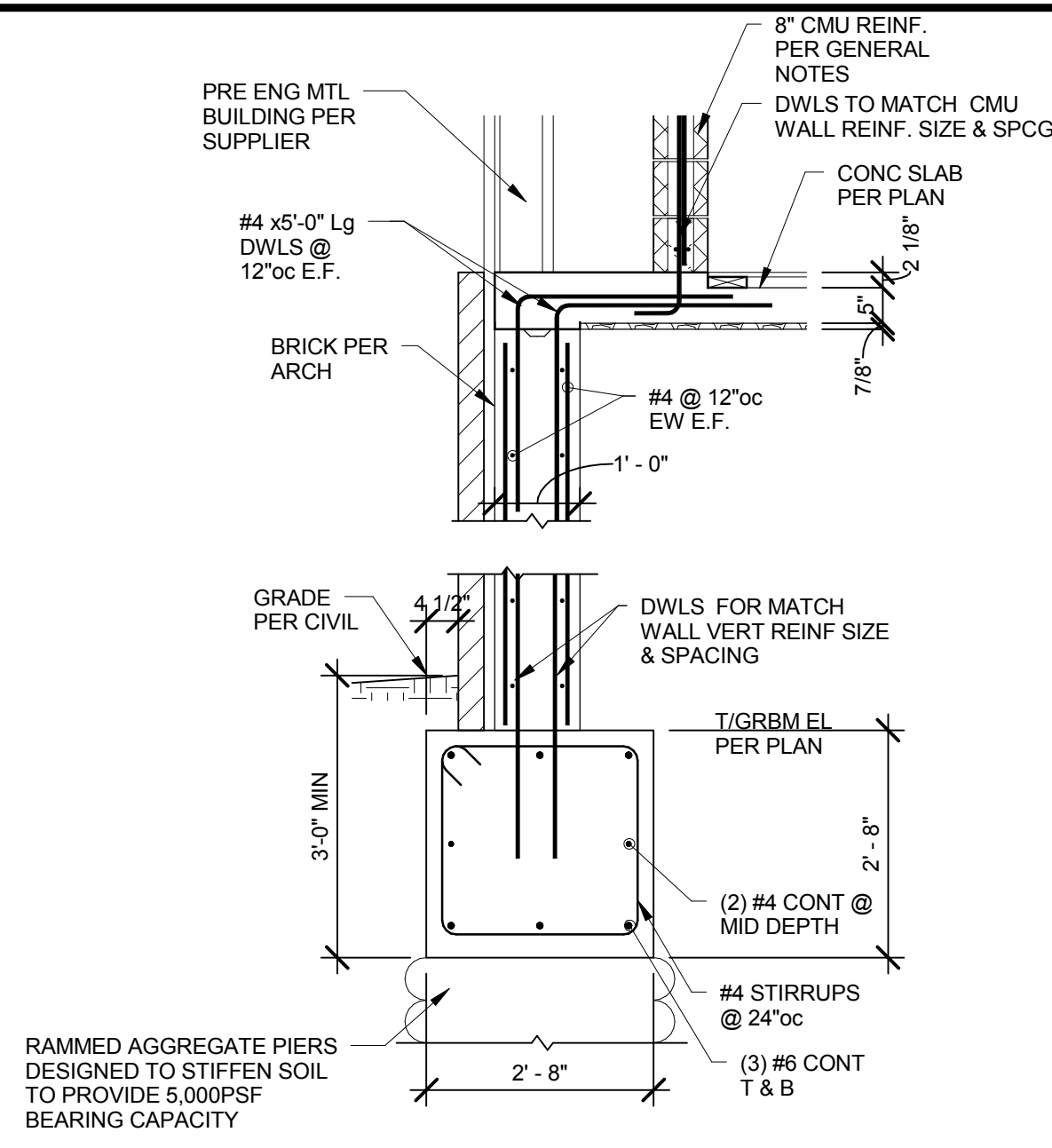


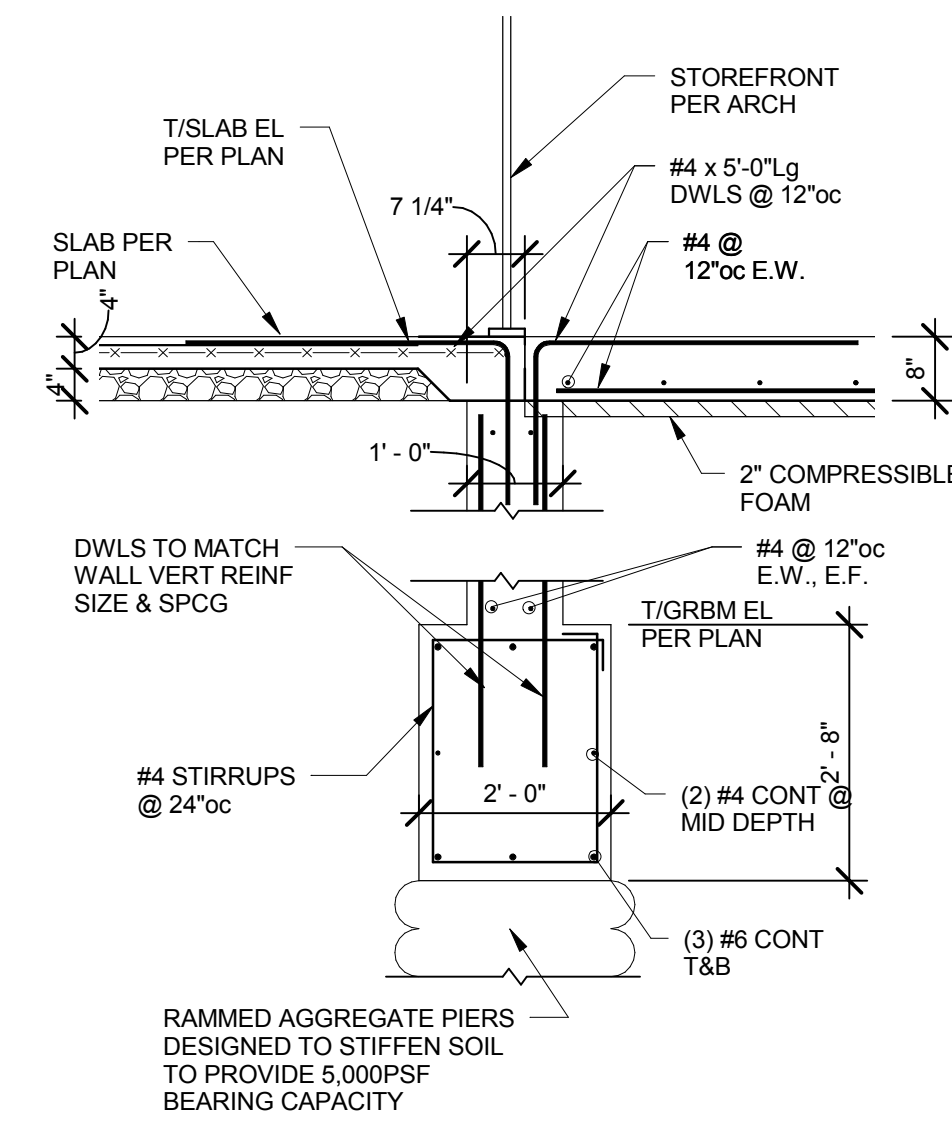
1 SECTION
3/4" = 1'-0"



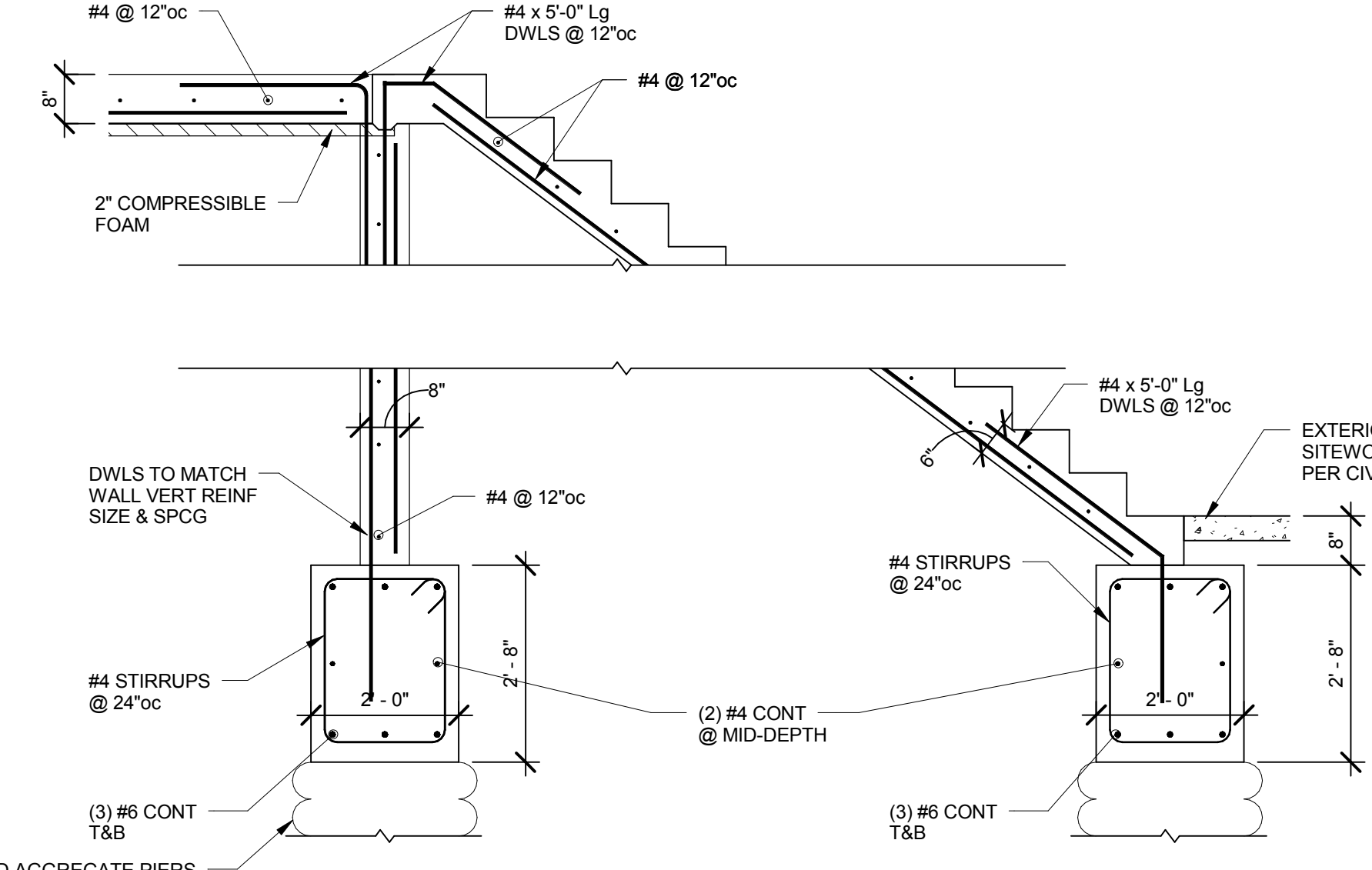
2 SECTION
1/2" = 1'-0"



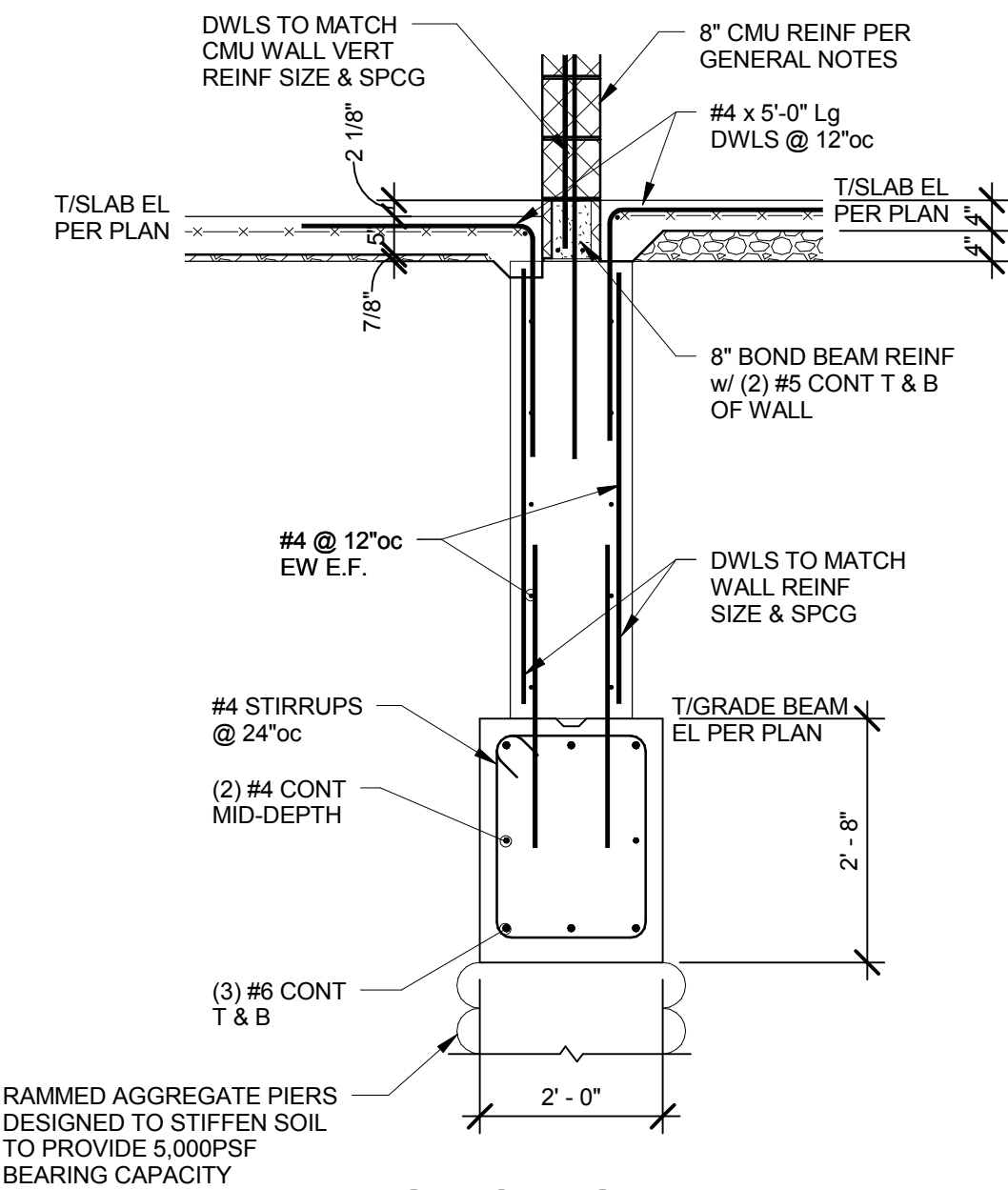
3 SECTION
1/2" = 1'-0"



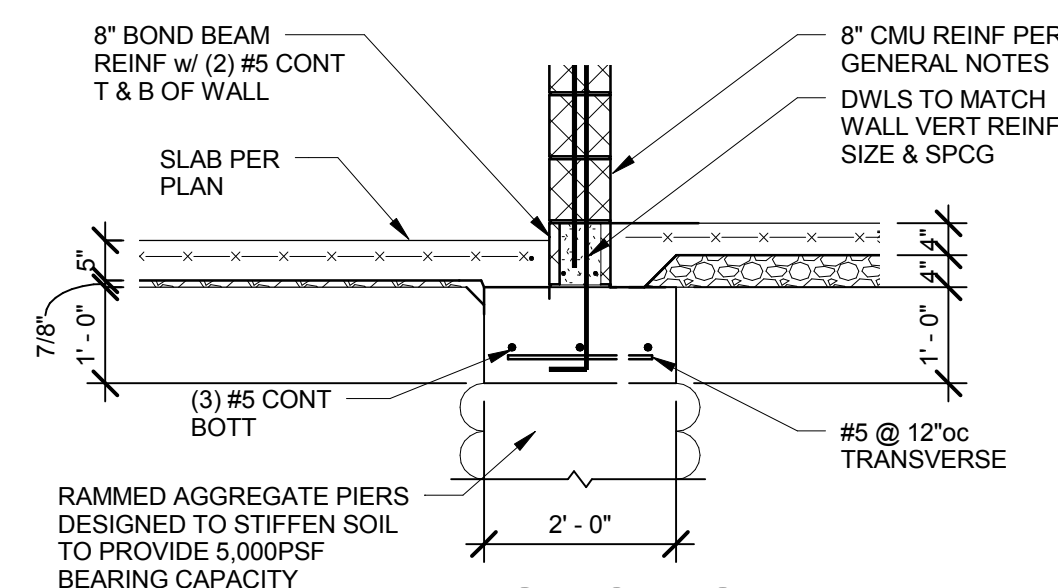
4 SECTION
1/2" = 1'-0"



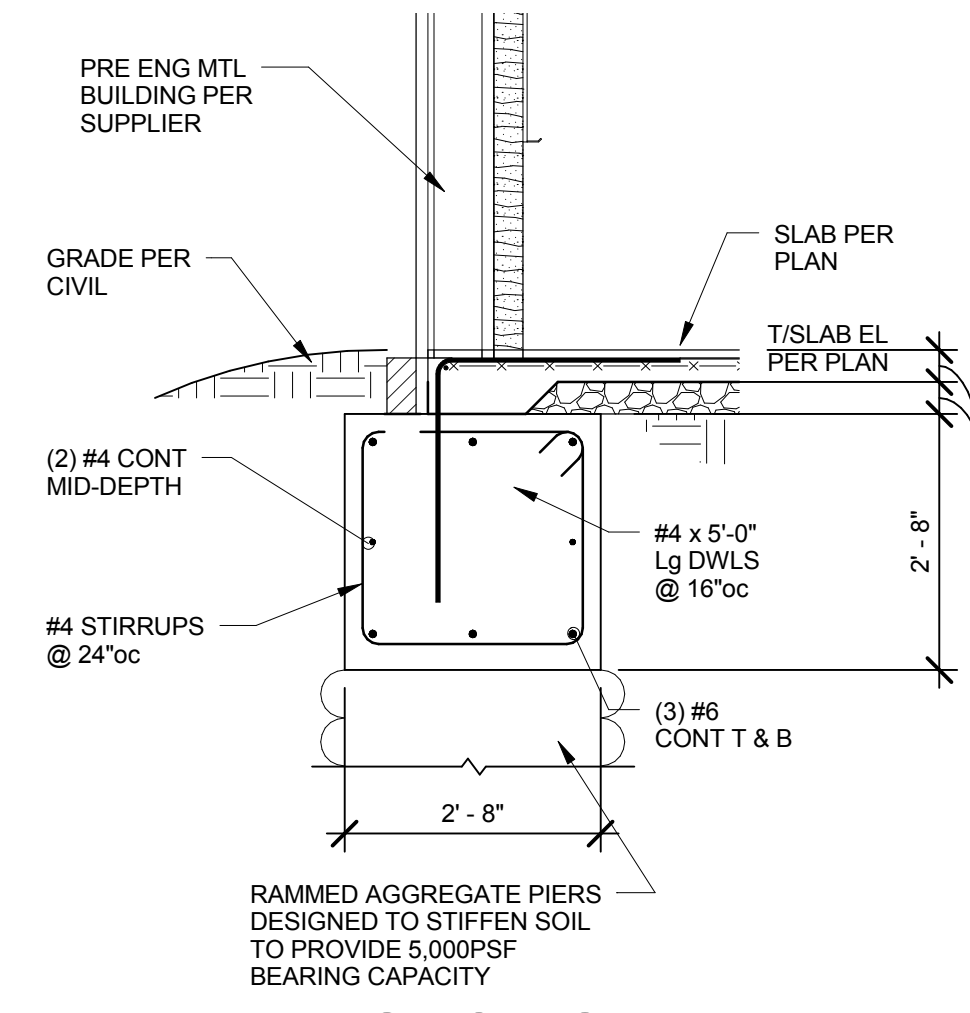
5 SECTION
1/2" = 1'-0"



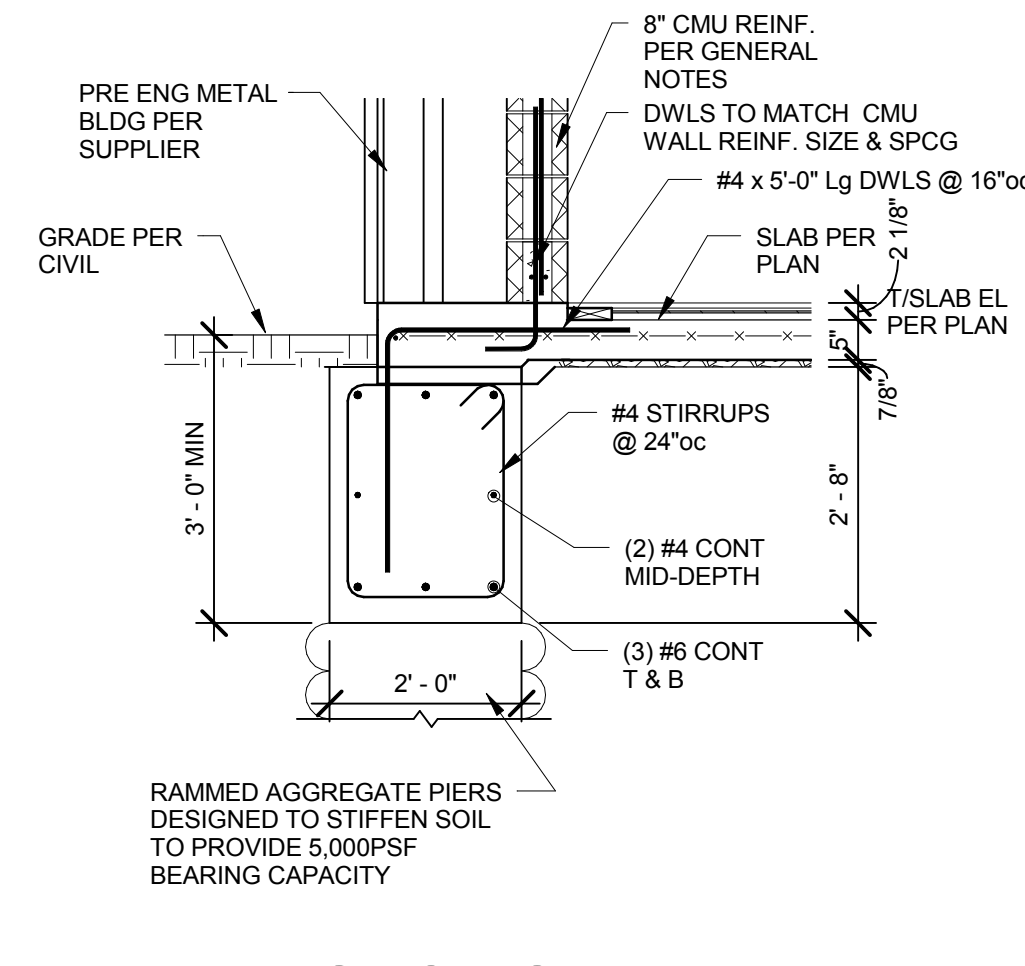
6 SECTION
1/2" = 1'-0"



7 SECTION
1/2" = 1'-0"



8 SECTION
1/2" = 1'-0"



9 SECTION
1/2" = 1'-0"



DATE: SEPTEMBER 2, 2014
 REVISED DATE:

ROCK PORT R-2 - HIGH SCHOOL GYMNASIUM ADDITION
 ROCK PORT R2 SCHOOLS
 ROCK PORT R-2 - ROCK PORT HIGH SCHOOL - 600 S. NEBRASKA ST., ROCK PORT, MO

SHEET CONTENTS:
 FOUNDATION SECTIONS
 HTK PROJECT NUMBER:
 1307.04-02
 SHEET NUMBER:
S500
 CONTRACT DOCUMENTS